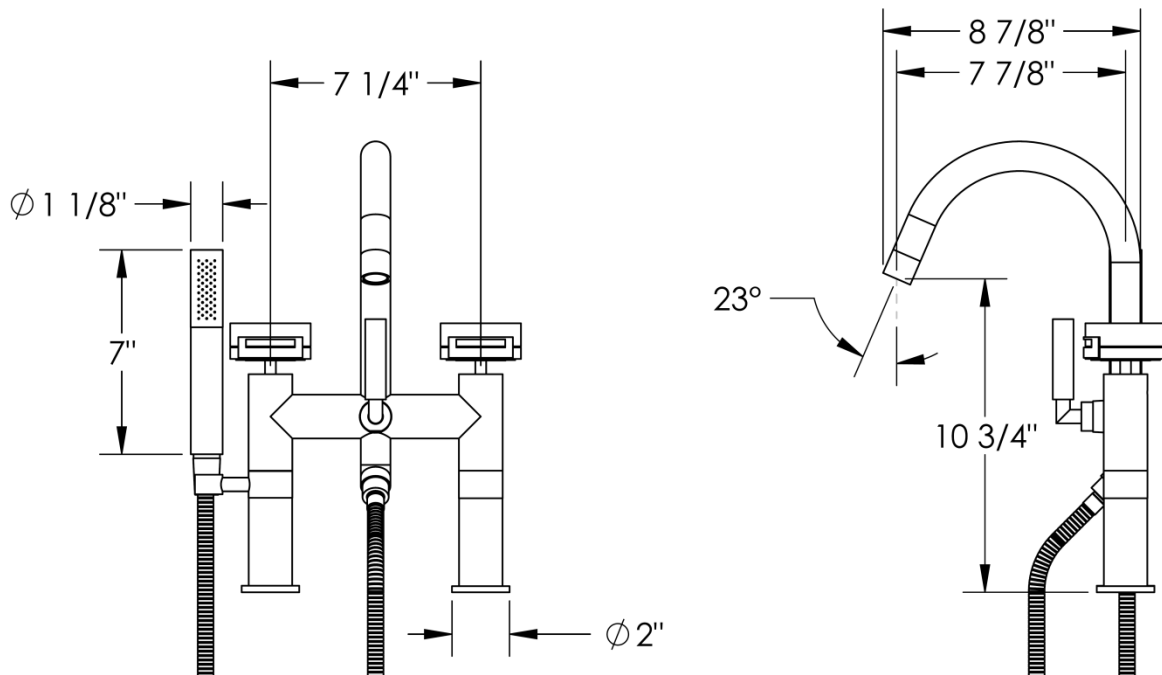


21-8.2-ELMNT

Deck Mounted Tub Fill With Handshower

Handshower Flow Rate: 2.0 GPM @ 45 PSI



Meets the applicable requirements of ASME A112.18.1-2005/CSA B125.1-05, entitled "Plumbing Supply Fittings"

WATERMARK DESIGNS 5/10/2017

350 Dewitt Ave Brooklyn NY 11207 USA T 718 257 2800 F 718 257 2144 info@watermark-designs.com